

# Technical data sheet



## Product features

### Lava stone grill gas 31x48 without cabinet

Model

SAP Code

00006246



- Grid size [mm x mm]: 312 x 483
- Container for liquid fat: Yes
- Removable rim: No
- Removable grid: Yes
- Ignition: Piezo

SAP Code	00006246	Net Weight [kg]	25.00
Net Width [mm]	328	Power gas [kW]	6.500
Net Depth [mm]	609	Type of gas	Natural gas, propane butane
Net Height [mm]	290	Grid size [mm x mm]	312 x 483

# Technical data sheet



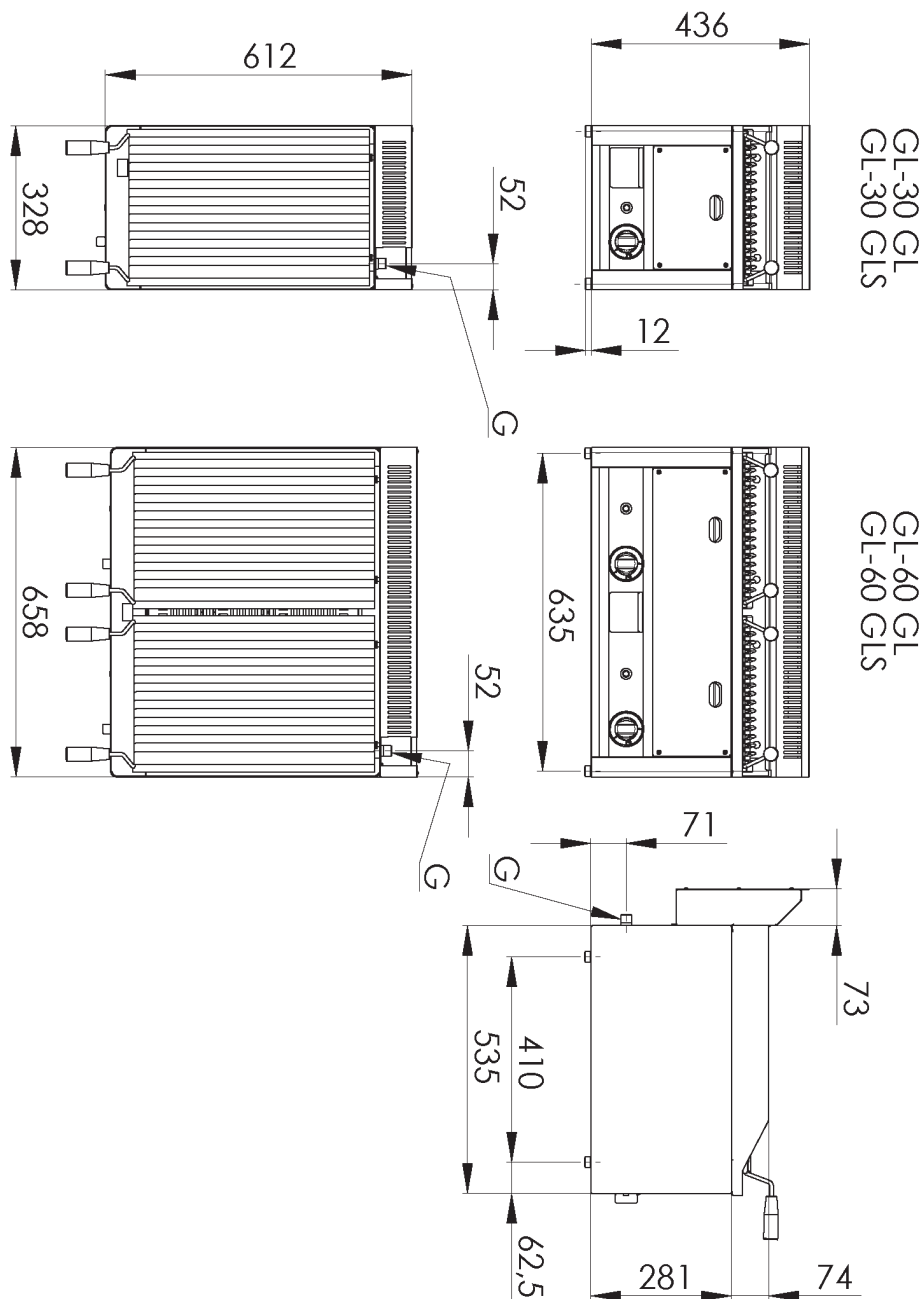
Technical drawing

Lava stone grill gas 31x48 without cabinet

Model

SAP Code

00006246



# Technical data sheet



## Product benefits

### Lava stone grill gas 31x48 without cabinet

Model

SAP Code

00006246

1

#### All-stainless design

long life  
resistance of AISI 304 stainless steel material  
the material does not cut

- savings on service interventions
- easy cleaning and maintenance of equipment

2

#### Degree of protection of the control elements IPX4

maintenance-free system  
resistance to splash water  
long life

- savings on service interventions
- easy cleaning and maintenance of equipment

3

#### Outlet for waste liquids

ensures that oil drips into the socket

- easy maintenance
- easy cleaning

4

#### High non-removable hem

better hygienic conditions  
preventing grease from splashing onto ancillary equipment

- easy maintenance
- easy cleaning

5

#### Safety element - thermocouple

safe service for staff  
there is no unnecessary gas leakage  
long life

- savings on service interventions
- easier and faster operation

# Technical data sheet



## Technical parameters

### Lava stone grill gas 31x48 without cabinet

Model

SAP Code

00006246

**1. SAP Code:**

00006246

**2. Net Width [mm]:**

328

**3. Net Depth [mm]:**

609

**4. Net Height [mm]:**

290

**5. Net Weight [kg]:**

25.00

**6. Gross Width [mm]:**

395

**7. Gross depth [mm]:**

705

**8. Gross Height [mm]:**

450

**9. Gross Weight [kg]:**

26.00

**10. Device type:**

Gas unit

**11. Construction type of device:**

Table top

**12. Power gas [kW]:**

6.500

**13. Ignition:**

Piezo

**14. Type of gas:**

Natural gas, propane butane

**15. Protection of controls:**

IPX4

**16. Material:**

Stainless steel

**17. Grid material:**

Stainless steel

**18. Container for liquid fat:**

Yes

**19. Removable rim:**

No

**20. Removable grid:**

Yes

**21. Grid size [mm x mm]:**

312 x 483

**22. Removable burner:**

Yes